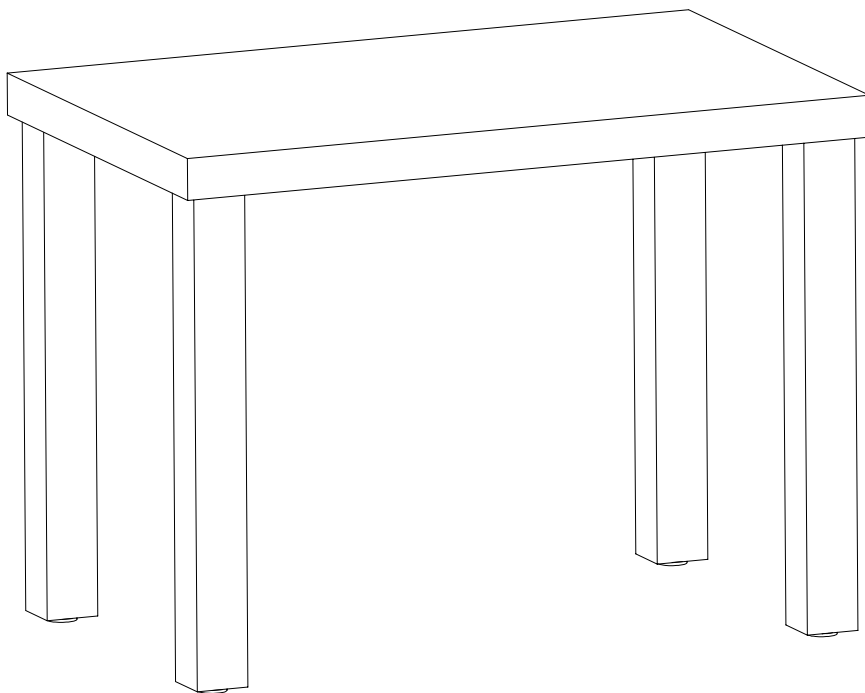
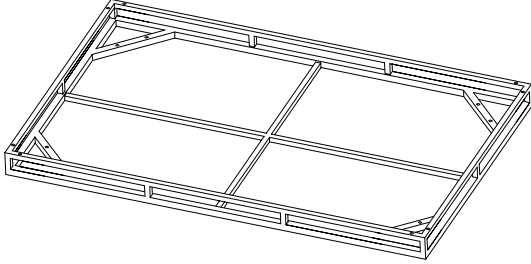
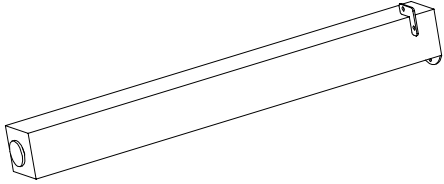




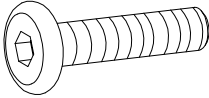
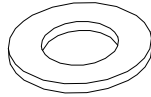
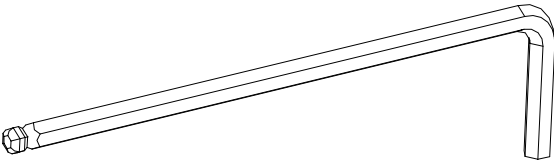
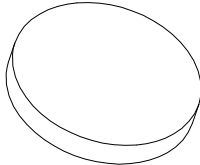
PALM HARBOR OUTDOOR
WICKER 36" DINNING TABLE
CO7203-BR



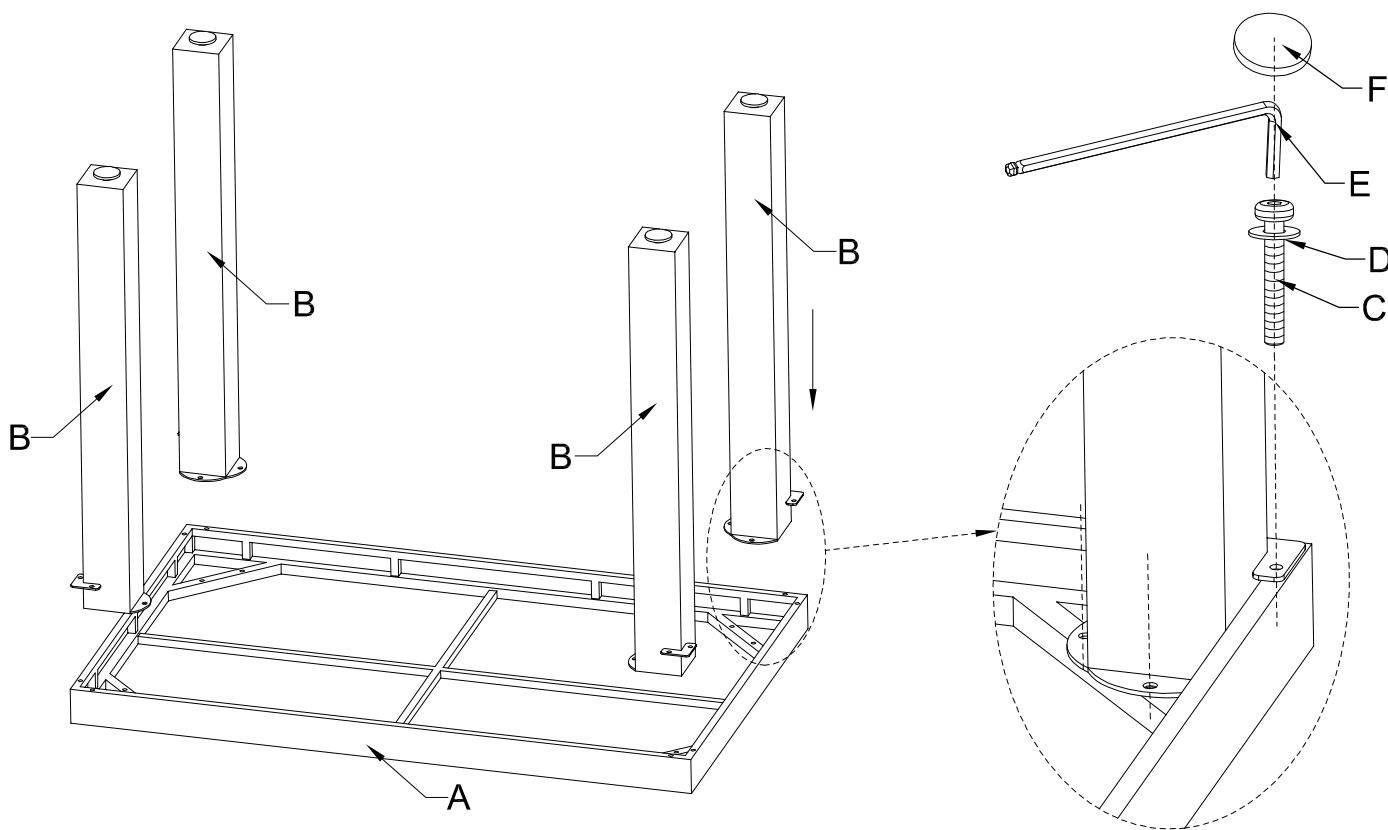
PART LIST

 <p>Top Panel</p>		 <p>Table leg</p>	
A	1pc	B	4pcs

HARDWARE LIST

 <p>Bolt(M6*20mm)</p>		 <p>Washer(M6mm)</p>	
C	16pcs	D	16pcs
 <p>Allen Key(M6mm)</p>		 <p>Screw cap(M6mm)</p>	
E	1pc	F	16pcs

Step 1. Lay Top Panel (A) down on a flat surface with underside facing up. Attach table legs (B) to Top Panel (A) using bolts (C), washers (D), allen key(E), and then cover the bolts with screw caps (F).
NOTE: Do not fully tighten bolt until all bolts are in place.



Step 2. Turn the assembled dining table upright.

